

Oasis C

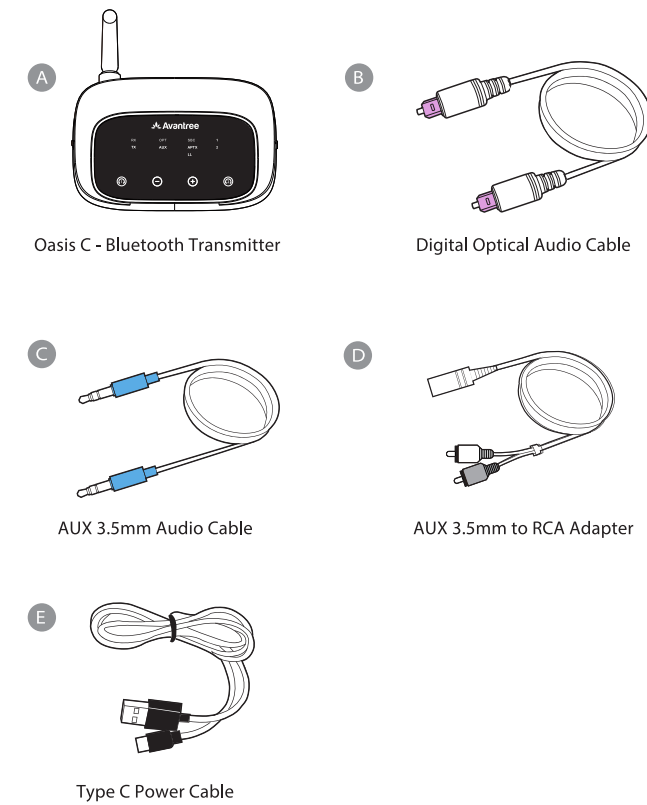
Quick Start Guide | Schnellanleitung | Guide de démarrage rapide
Guida Rapida all'uso | Guía de inicio rápido



Model No: BTTC-500-C

Box Contents

Inhalt | Contenu de la boîte | Contenuto della confezione | Contenido



Optional Accessories

Optionales Zubehör | Accessoires optionnels | Accessori opzionali | Accesorios opcionales

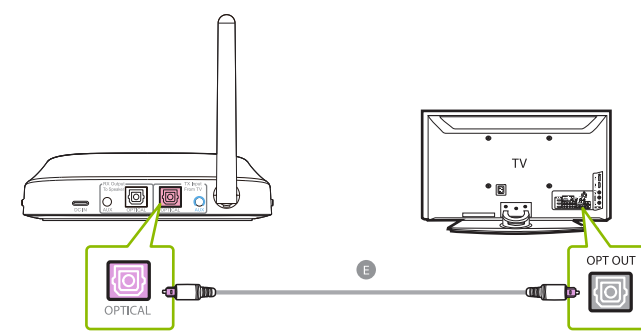


Visit avantree.com/oasis-c/accessories for more details

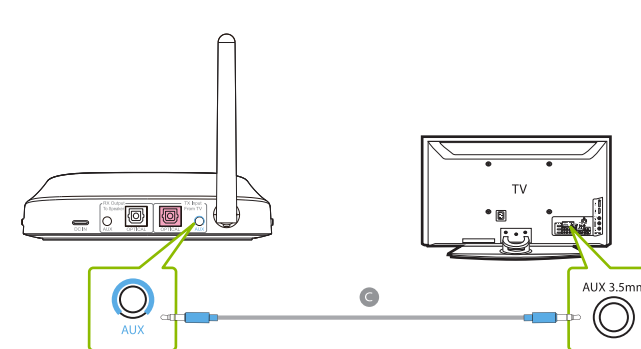
1 Connecting to TV

Verbindung mit dem Fernseher | Connexion au téléviseur | Conexión al televisor | Collegamento alla TV

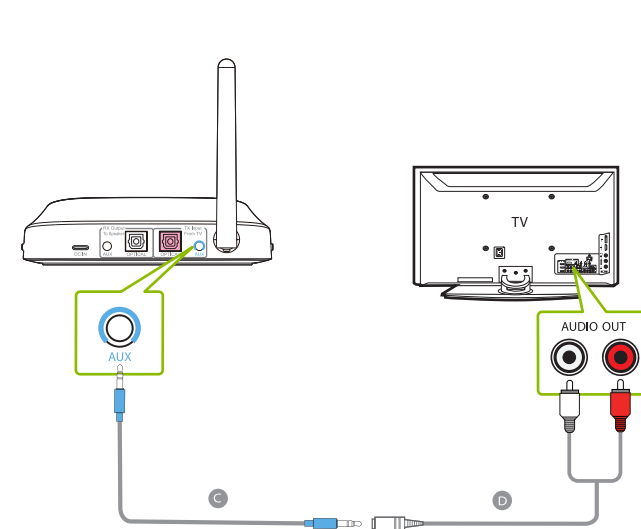
For TVs with OPTICAL port



For TVs with AUX 3.5MM port



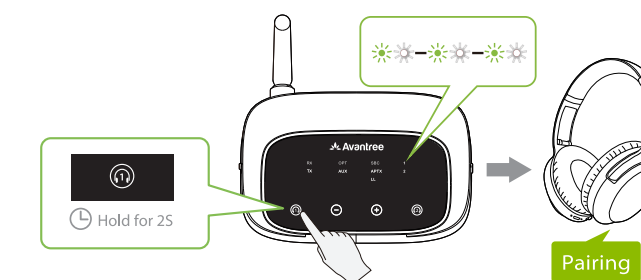
For TVs with RCA AUDIO OUT port



Still need help? Visit avantree.com/oasis-c/tv-connection for more details.

2 Pairing Headphones

Paarung der Kopfhörer | Appairage d'écouteurs | Emparejamiento de auriculares | Collegare le Cuffie (pairing)



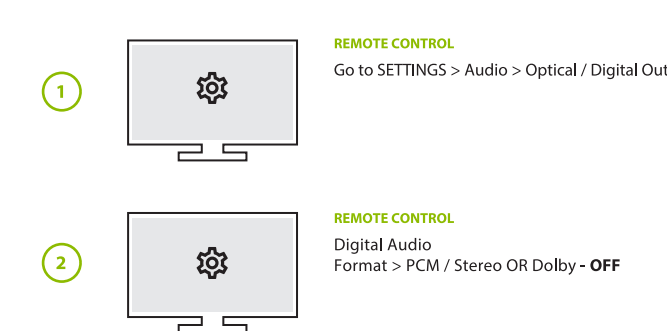
- 2.1 For first time use, the transmitter will automatically enter pairing mode. The "1" LED will flash green & white alternately to indicate this. For any subsequent uses, hold the @ button for 2s to enter pairing mode.
- 2.2 Put your Bluetooth headphones / speakers into PAIRING mode (NOTE: simply powering on will NOT put them into pairing mode). Typically, the LED indicator will quickly flash either red and blue or just blue to indicate pairing mode. For more details, please refer to your headphones' / speaker's user manual
- 2.3 Check the transmitter's connected devices indicator. If the "1" is lit, your headphones are successfully connected.

Still need help? Visit avantree.com/oasis-c/not-pairing for more details.

3 Setting Up TV

Einstellung des Fernsehers | Configuration de la télévision | Configuración del televisor | Settaggio della TV

For using TV Optical/Toslink/SPDIF port



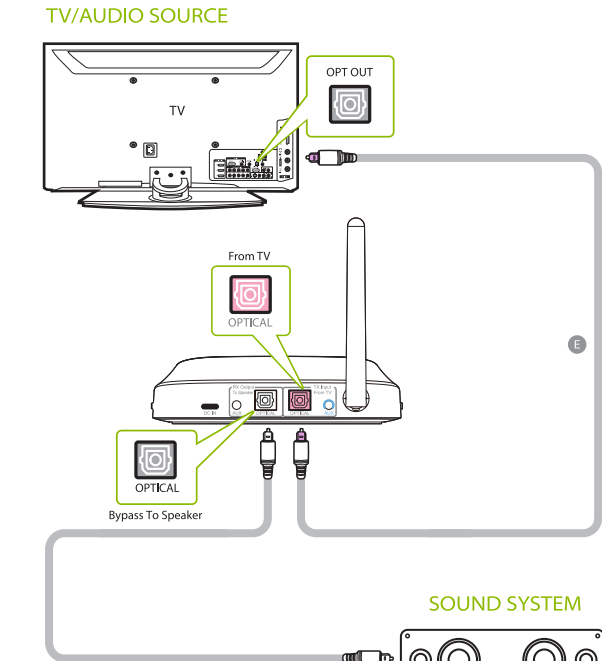
AUDIO SETTING GUIDE



For other TV brands or more information, visit avantree.com/oasis-c/tv-audio-settings for more details.

4 Using with Soundbar

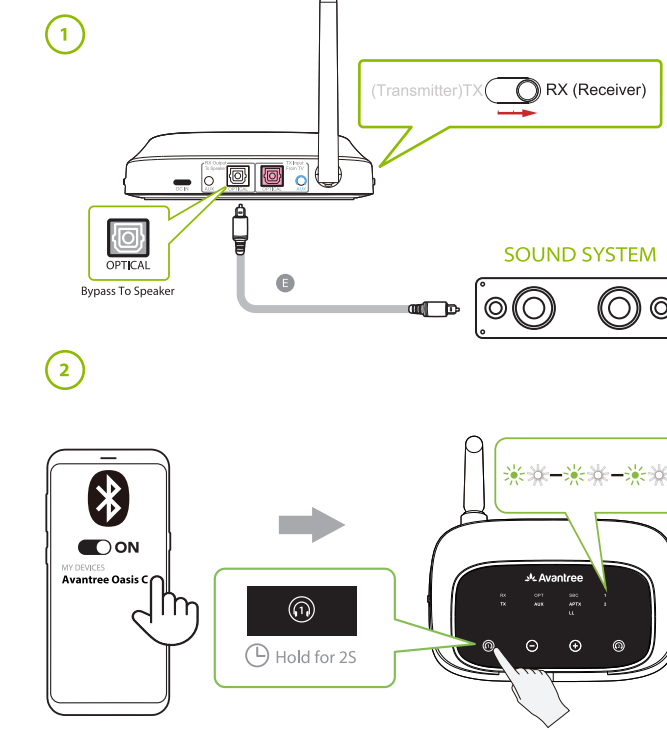
Nutzung einer Soundbar | Utilisation avec une barre de son | Utilizzando la Soundbar | Uso con la barra de sonido



Still need help? Visit avantree.com/oasis-c/tv-soundbar for more details

5 Connecting to Phone

Telefonverbindung | Connexion téléphonique | Connessione telefonica | Conexión telefónica



Still need help? Visit avantree.com/oasis-c/phone-connection for more details.

Contact Us

Kontaktieren Sie uns | Contactez-nous | Contattaci | Contáctenos

Video Setup Guide - avantree.com/oasis-c/video

Ticket Support - avantree.com/submit-a-ticket

Support Email - support@avantree.com

USA / Canada +1800 232 2078 (9am-6pm PST, Mon-Fri)

UK +44 20 8068 2023 (9am-6pm, GMT, Mon-Sat)

DE +49 32221097297 (11am-9pm, CET, Mon-Sat)

FR +33 176340312 (11am-9pm, CET, Mon-Sat)

IT +39 06 9480 3330 (9am-6pm, CET, Mon-Sat)

ES +34 931786261 (9am-6pm, CET, Mon-Sat)

AU +61 2 8310 9897 (11am-7pm, AEST Mon-Fri)

FAQs - avantree.com/support/oasis-c

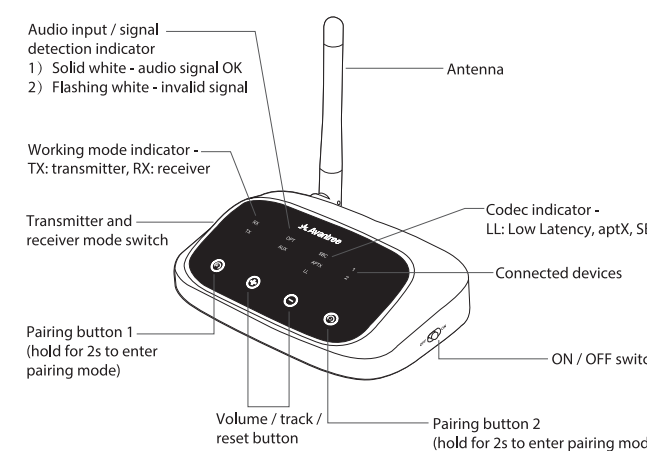
Product Registration - avantree.com/product-registration



Dispose of the packaging and this product in accordance with the latest provisions.
Z-PROG-500C-V0

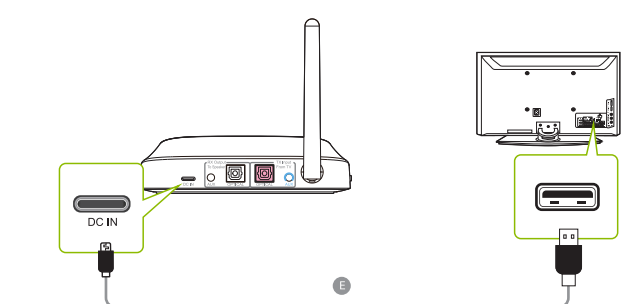
Product Overview

Produktübersicht | Vue d'ensemble du produit | Panorámica Prodotto | Descripción general del producto



Powering On

Anschließen | Mise en marche | Encendido | Accensione



Still need help? Visit avantree.com/oasis-c/power-up for more details.

Online Support

Soporte en línea | Support en ligne | Supporto Online | Soporte en línea



Watch step-by-step video tutorial at avantree.com/oasis-c/video before installation

Troubleshooting & Advanced Functions

EN 1. Cannot Pair with my Headphones/Speakers
2. Netflix/Amazon Prime No Sound in the Headphones

DE 1. Kann nicht mit meinen Kopfhörern/Lautsprechern gekoppelt werden
2. Netflix/Amazon Prime kein Ton auf den Kopfhörern

FR 1. Impossible d'appairer mes écouteurs/haut-parleurs
2. Netflix/Amazon Prime Non sento suoni nelle cuffie

IT 1. Non riesco a collegare le mie Cuffie/Altoparlanti
2. Con Netflix/Amazon Prime Non sento suoni nelle cuffie

ES 1. No se puede emparejar con mis auriculares / altavoces
2. Netflix / Amazon Prime sin sonido en los auriculares

Need further assistance? Visit avantree.com/support

