



Aria 90B **WIRELESS HEADPHONES WITH USB ADAPTER**

Model No.: BTHS-AS90B

- [Quick Start Guide](#)

- [Schnellanleitung](#)

- [Guía de inicio rápido](#)

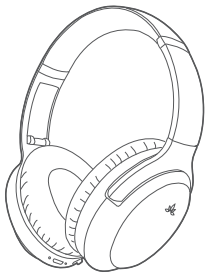
- [Guide de démarrage](#)

- [Guida Rapida all'uso](#)

The Aria 90B is a pre-paired headphone and mini-USB Bluetooth adapter/dongle set - ready for use, out of the box. When used as a set there's no need to pair them manually; just turn them on and they will auto-connect each time!

- Box Contents..... 1
- Product Overview & Basic Operations..... 1
- Boom Mic (When Using Headphones Wirelessly) 2
- mini-USB Bluetooth Adapter/Dongle (DG10)..... 2
- First Time Use With Windows/Mac Computer or PS4..... 2
- How to Verify Computer Audio Settings Once Connected 4
- Using your Aria 90B headphones with other mobile devices..... 5
- Charging..... 6
- Troubleshooting..... 7

Box Contents



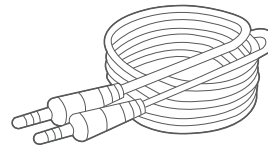
A
Aria 90B



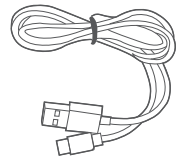
B
Boom mic



C
mini-USB
Bluetooth Dongle
(DG10)



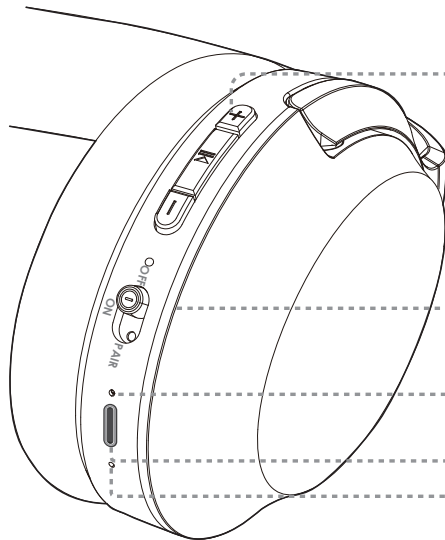
D
AUX audio
cable



E
Type C
charging cable

Product Overview & Basic Operations

R



Volume up / down: Press \oplus / \ominus once
Play / Pause music: Press \square once
Next / Previous track: Hold \oplus / \ominus for 2s



Power ON: OFF \rightarrow ON PAIR Slide to **ON** (middle position)

Power OFF: OFF \leftarrow ON PAIR Slide to **OFF**

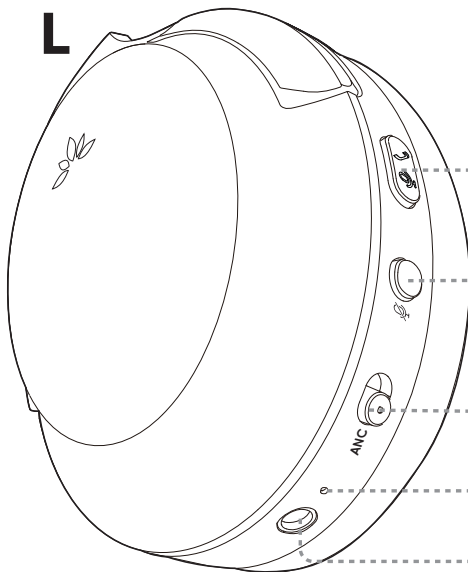
Pairing Mode*: OFF \rightarrow ON PAIR Slide to **"PAIR"** and **hold for 3s** until LED blinks **RED & BLUE** alternately then release



Headphones status LED

Charging port
Built-in microphone

L



Answer / End a call: Press phone once
Redial most recent call: Press phone twice
Reject a call: Hold phone 2s when receiving call
(ONLY works when connected to mobile device)



Mute/ Unmute: Press mute once
(ONLY works when connected to mobile device)



Activate ANC: ANC \leftarrow slide the the switch to ANC, ANC LED turns **GREEN** (Headphones must be ON)
Deactivate ANC: ANC \rightarrow ANC LED turns off



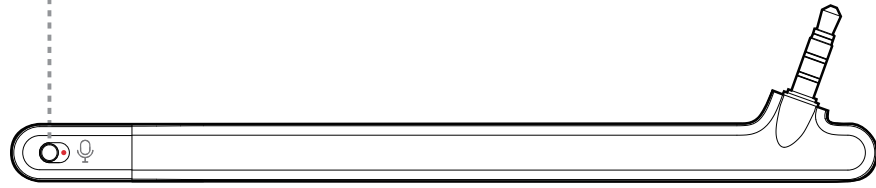
ANC status LED



AUX port for plugging in boom mic / AUX audio cable

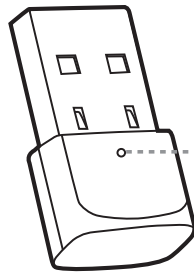
Boom Mic (When Using Headphones Wirelessly) ¹


Toggle the mute switch to Mute On  / Mute Off 



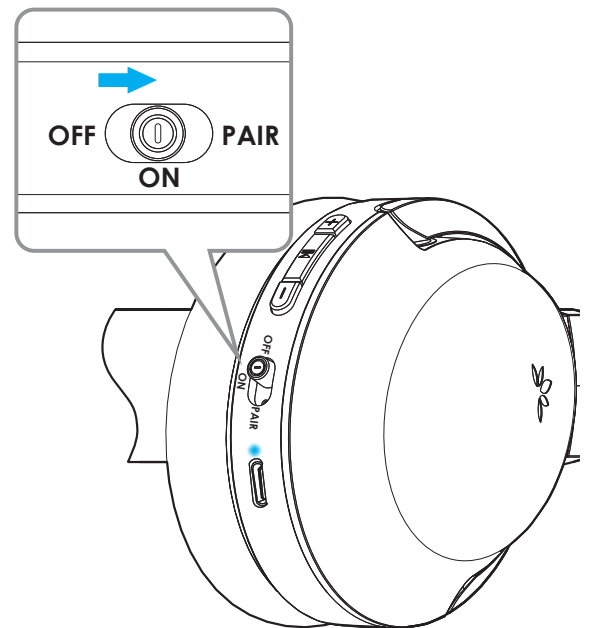
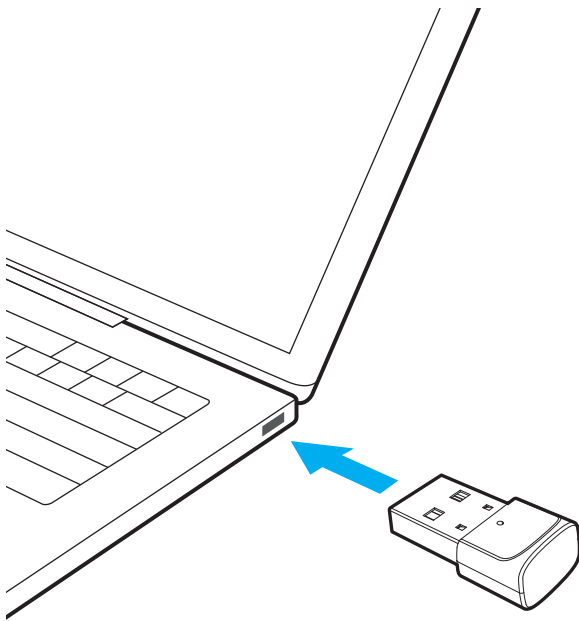
¹ When using the AUX audio cable Boom mic will not operate

mini-USB Bluetooth Adapter/Dongle (DG10)

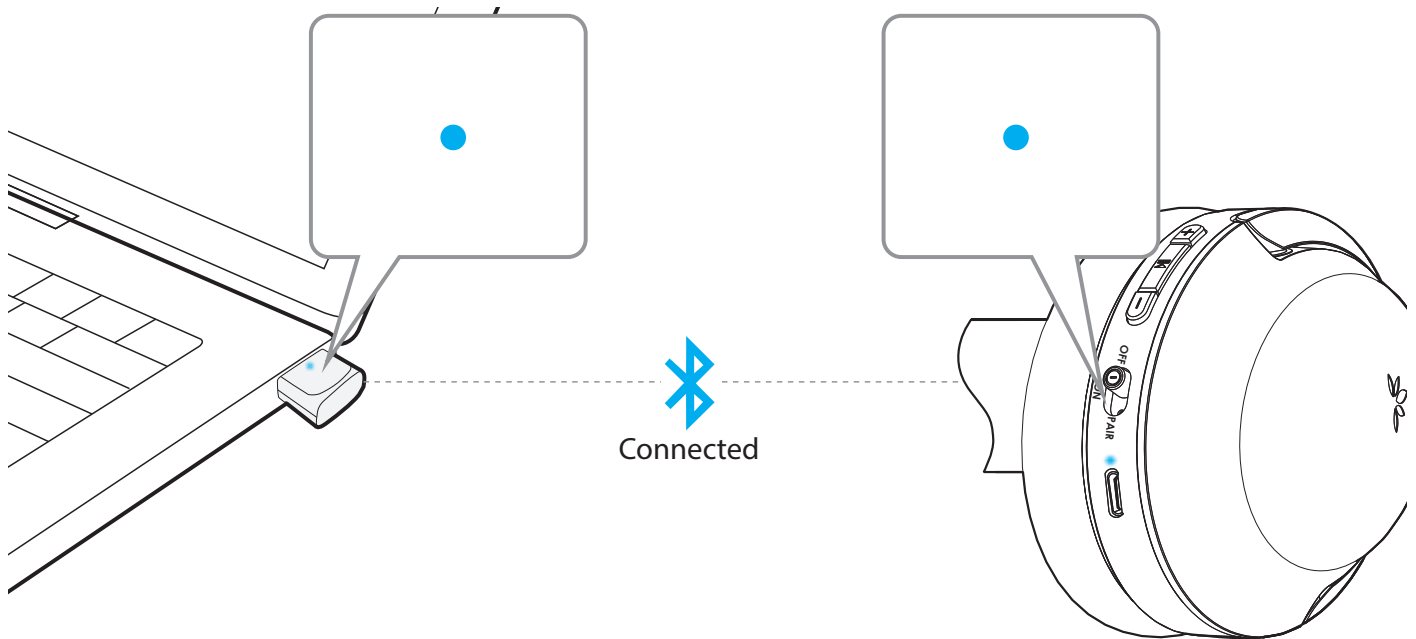


 LED Status Indicator

First Time Use With Windows/Mac Computer or PS4



Plug in the DG10 dongle and turn on the headphones and they should pair automatically



EN On next use, turn on the headphones - - by default the Aria 90B headphones and DG10 dongle will automatically reconnect.

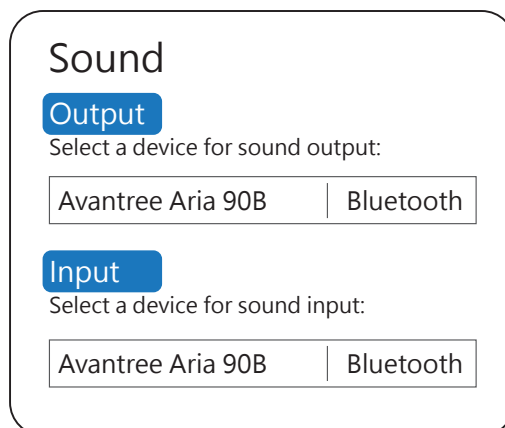
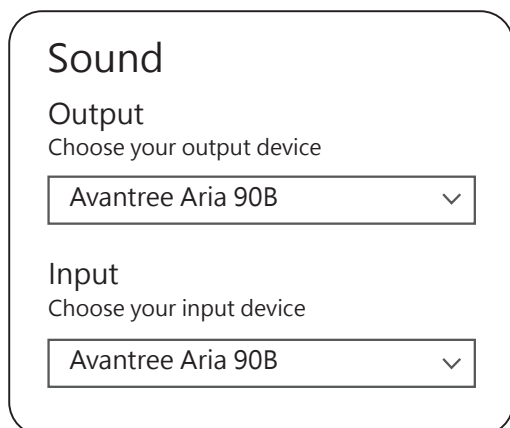
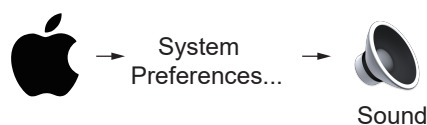
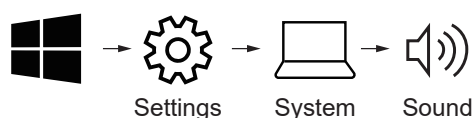
DE Schalten Sie bei der nächsten Verwendung die Kopfhörer ein - - Standardmäßig werden die Aria 90B-Kopfhörer und der DG10-Dongle automatisch wieder verbunden.

FR Lors de la prochaine utilisation, allumez le casque - Par défaut, l'Aria 90B et la clé DG10 se connecteront automatiquement l'un à l'autre.

IT Al prossimo utilizzo, accendere le cuffie - - per impostazione predefinita le cuffie Aria 90B e il dongle DG10 si riconnetteranno automaticamente.

ES En el siguiente uso, encienda los auriculares - - por defecto los auriculares Aria 90B y el dongle DG10 se volverán a conectar automáticamente.

How to Verify Computer Audio Settings Once Connected



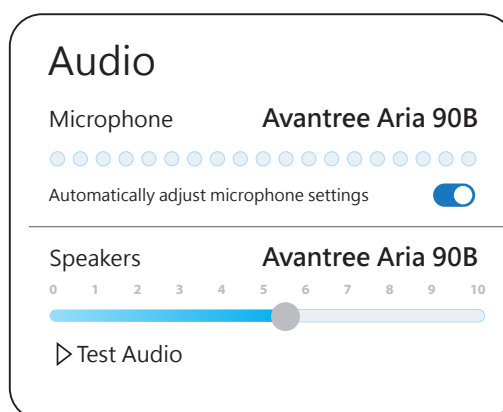
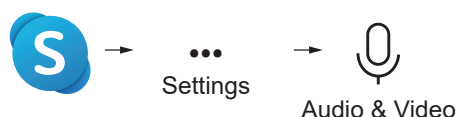
EN If there is NO SOUND when paired and computer's audio settings are correct, please check your VoIP sound settings ²

DE Wenn KEIN TON vorhanden ist, überprüfen Sie bitte Ihre VoIP-Soundeinstellungen.

FR Si vous n'entendez AUCUN SON, vérifiez vos paramètres sonores.

IT Se NON C'E Audio, controllare le impostazioni audio VoIP, ad esempio assicurarsi.

ES Si NO HAY SONIDO, compruebe la configuración de sonido VoIP, por ejemplo.



²Skype Sound Setting Example

*Not working? Please visit avantree.com/product-support/as90b for more troubleshooting tips.

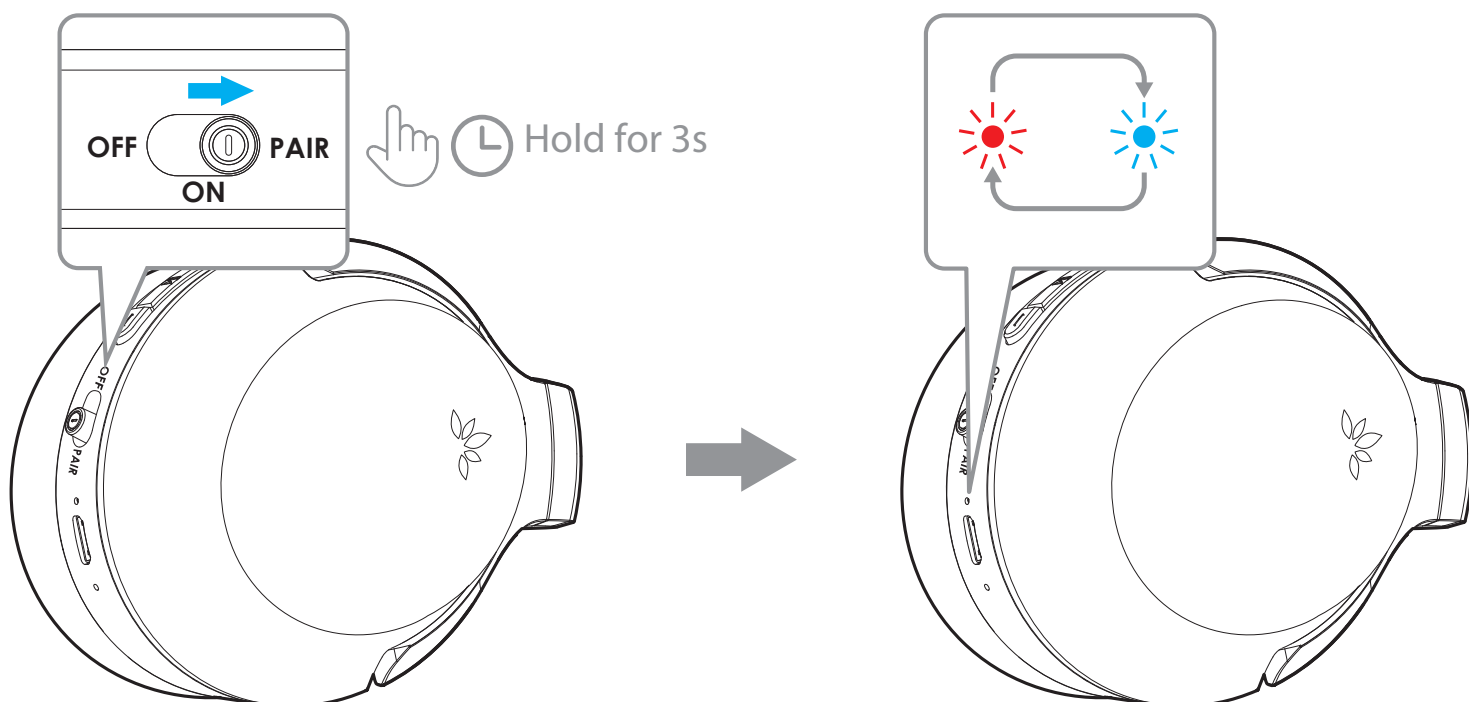
Using your Aria 90B headphones with other mobile devices

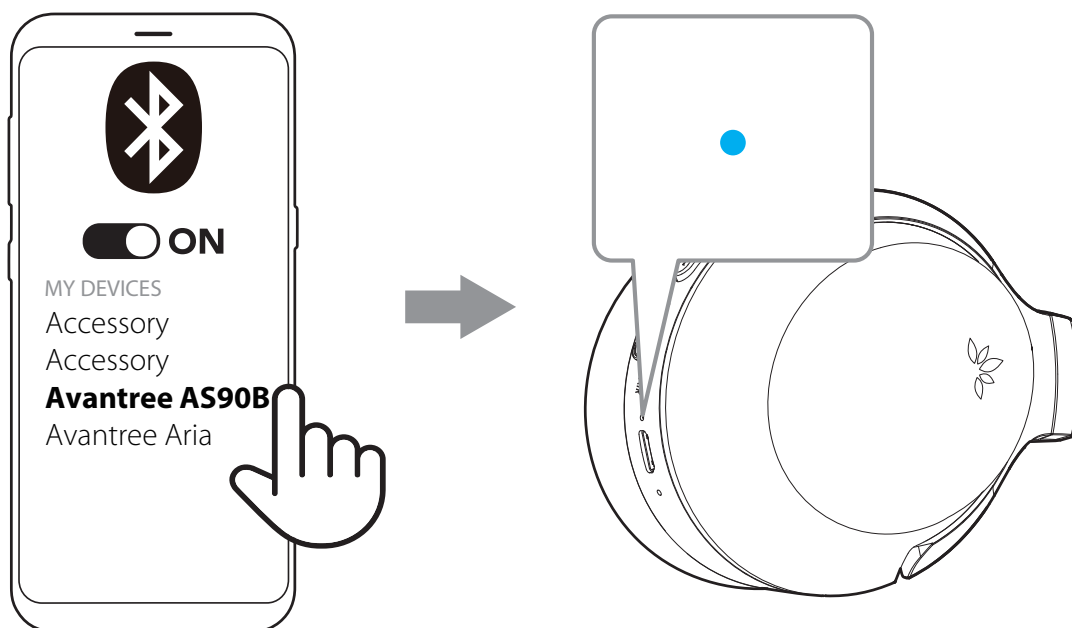
Step 1



- EN First ensure Aria 90B headphones are disconnected from the dongle e.g. unplug dongle from computer.
- DE Stellen Sie zunächst sicher, dass die Aria 90B-Kopfhörer vom Dongle getrennt sind, Ziehen Sie den Dongle vom Computer ab.
- FR Assurez-vous d'abord que l'Aria 90B soit déconnecté de la clé (Ex. débranchez la clé de l'ordinateur).
- IT Innanzitutto che le cuffie Aria 90B siano scollegate dal dongle ad esempio, quindi scollegare dongle dal computer.
- ES Primero asegúrese de que los auriculares Aria 90B estén desconectados del dongle por ejemplo, desenchufe el dongle del ordenador.

Step 2





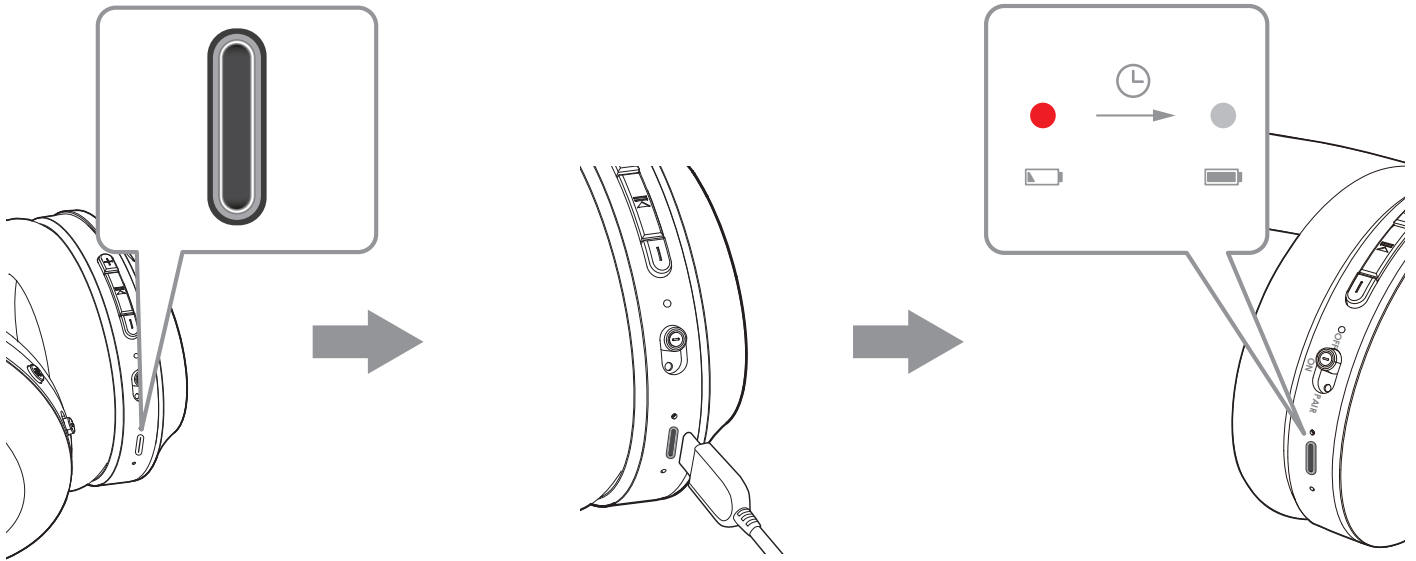
Ensure the mobile device's Bluetooth is turned on.

- EN For next use, turn on the Aria 90B headphones - ensure it is disconnected from the DG10 dongle. Tap AS90B on phone's Bluetooth menu to reconnect.
- DE Schalten Sie für den nächsten Gebrauch den Aria 90B-Kopfhörer ein - stellen Sie sicher, dass er nicht vom DG10-Dongle getrennt ist. Tippen Sie im Bluetooth-Menü des Telefons auf AS90B, um die Verbindung wiederherzustellen.
- FR Lors de la prochaine utilisation, allumez l'Aria 90B - Assurez-vous qu'il soit déconnecté de la DG10. Dans le menu Bluetooth du téléphone, sélectionnez l'AS90B pour vous reconnecter.
- IT Per un uso successivo, accendere le cuffie Aria 90B- assicurarsi che siano scollegate dal dongle DG10. Toccare AS90B nel menu Bluetooth del telefono per riconnettersi.
- ES Para su próximo uso, encienda los auriculares Aria 90B - asegúrese de que están desconectados del dongle DG10. Toque AS90B en el menú Bluetooth del teléfono para volver a conectarse.

*Not working? Please visit avantree.com/product-support/as90b for more troubleshooting tips.

Charging

Connect USB charging cable to USB wall adapter rated at (DC 5V / 0.5-2A)



● / ☀	Battery Low
●	Charging
●	Charging Complete

Need Help Troubleshooting:

Audio Cuts Out Intermittently, Choppy, Unstable Connections. How to fix? Others Can't Hear Me / Microphone Not Working Well. How to fix?

Please visit



<https://avantree.com/product-support/>
for detailed step-by-step troubleshooting and setup guide